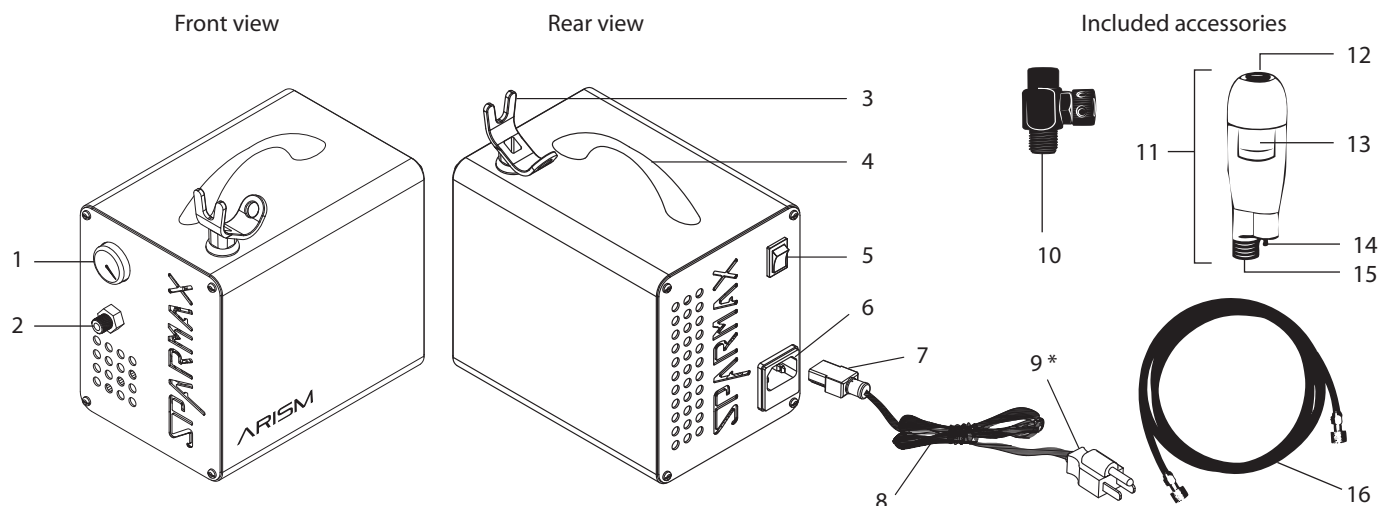


This manual contains important information on product safety, set-up, operation, and maintenance. For optimum performance and safety, read this manual carefully before using this product. Please keep this manual in a safe place for future reference.

### IMPORTANT SAFETY INFORMATION

- **Before connecting the compressor to a power outlet, check if the voltage indicated on the compressor corresponds to the mains voltage (100-120 V or 220-240 V). Using the compressor with the wrong mains voltage could damage the unit, and could cause an electrical fire.**
- When using electrical appliances, basic precautions should always be followed to reduce the risk of damage, fire, electric shock, personal injury or property damage.
- Do not overload wall outlets, extension cords, or power strips beyond their capacity. This could cause a circuit breaker trip, insufficient voltage supply, or an electrical fire.
- To avoid electric shock, never operate the compressor outdoors when raining, or in wet conditions.
- Always place the compressor on a flat and stable surface.
- Always remain in attendance when the compressor is in operation.
- Never place objects against, or on top of, the compressor. Operate the compressor in an open area without any obstructions that would restrict the flow of fresh air into the compressor.
- Exceeding the pressure rating of pneumatic tools, such as airbrushes, spray guns, or air operated devices, could damage the tool and could also cause serious personal injury. Never exceed the maximum allowable pressure rating recommended by your pneumatic tool's manufacturer.
- Do not insert any foreign objects into the openings of the compressor.
- Do not disassemble the compressor or attempt to modify the compressor in any way.

### Product Overview



Parts List			
1	Pressure Gauge	9	Plug *
2	Air Outlet	10	Airbrush Bleed Valve
3	Detachable Airbrush Holder	11	Silver Bullet™ Airbrush Moisture Trap **
4	Handle	12	Silver Bullet™ Air Outlet
5	On/Off Switch	13	Silver Bullet™ Filter (full-sized, 5 micron filter)
6	AC power inlet	14	Silver Bullet™ Drain Valve
7	Connector of power cable	15	Silver Bullet™ Air Inlet
8	Power cable	16	Braided Air Hose

\* illustration of plug is for reference only. Plug adaptor may vary depending on your region.

\*\* Silver Bullet™ Patent number: US D552806

### Specifications

Model: AC-66hx

Air flow: 14 -15 l/min (0.49 - 0.53 cfm) at open flow \*

Auto on/ off: 1.7/ 2.4 bar (25/ 35 psi)

Dimensions: L19.2 x W12 x H18.5 cm (7.6" x 4.7" x 7.3")

Weight: 2.6 kg (5.7 lbs)

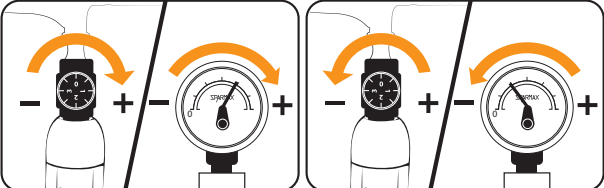
\* Air flow range indicated shows average values over different voltages and frequencies. There will be tolerance for each unit and current fluctuation also affects actual airflow performance.

### Product Set Up

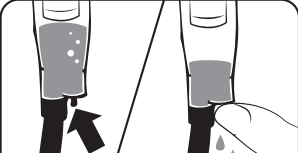
1. First use: Carefully unpack the unit, verify that all parts listed in the "Parts List" are present, and visually inspect for damage. If there are any signs of damage or if any parts are missing, do not use the product. Contact your retailer or supplier immediately.
2. Locate the compressor in a clean, dry, and well-ventilated area that has adequate air circulation.
3. Screw one end of the Braided Hose onto the compressor's Air Outlet located below the Pressure Gauge, and the other end of the hose to the Silver Bullet™ Air Inlet.
4. Screw the Airbrush Bleed Valve into the Silver Bullet™ Air Outlet and then screw your airbrush onto the bleed valve. NOTE: Different adaptors may be required for different airbrush brands and models. If your airbrush needs an adapter, please contact your local retailer or supplier.
5. Place the airbrush holder in the designated area.
6. Plug the Connector of power cable to the compressor's AC power inlet.

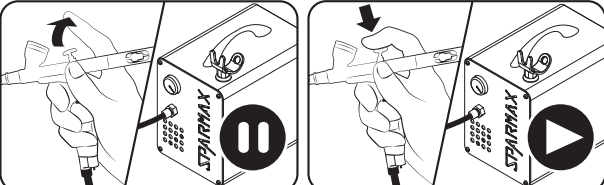
### Product Operation

1. Insert the plug of the compressor into a power outlet. Turn the compressor on by pressing the On/Off Switch.

2.  To adjust air pressure, turn the knob of Airbrush Bleed Valve clockwise to increase air pressure, or counter-clockwise to decrease air pressure. Numbers on the knob can be used as reference points for your setting. NOTE: When working with adjusted air pressure, airflow will constantly leak from the Airbrush Bleed Valve thus rendering the auto stop pressure switch feature inoperative. Closing the airbrush bleed valve will reinstate the auto shut off feature.

3. The Pressure Gauge gives continuous, real-time readings of current air pressure delivery.

4.  When condensation forms in the Silver Bullet™, push on the Silver Bullet™ Drain Valve to release built-up moisture. Perform this operation as often as needed – with greater frequency the higher the humidity. SUGGESTION: When pushing on the drain valve, hold a paper towel under the drain to collect water released from the drain.

5.  With a dual-action airbrush attached, but not in use, the auto stop pressure switch automatically stops the compressor when the pressure reaches 35 psi, and will automatically re-start the compressor when the airbrush trigger is pushed down and the pressure drops to 25 psi. Do not attempt to remove the Auto Stop Pressure Switch. In the rare instance that the switch malfunctions, do not allow the compressor to operate above 50 psi.

6. When the airbrush is not in use, it may be placed into the Airbrush Holder.

7. Do not touch any exposed metal parts on the compressor during, or immediately after, operation. The compressor will remain hot for several minutes after operation.
8. It is recommended that the compressor run continuously for no more than 40 minutes. After 40 minutes of continuous operation, use the On/Off Switch to turn off the unit. Allow the unit to cool for 10 to 15 minutes before turning the compressor back on.
9. The compressor has a thermal safety switch which automatically ceases compressor operation when the compressor becomes too hot. If this happens, use the On/Off Switch to turn off the compressor. Allow the unit to cool for 10 to 15 minutes before turning the compressor back on.
10. After each use, make sure the unit is turned off and unplugged. Also be sure to release any remaining air from the compressor by depressing the airbrush trigger.

### Troubleshooting

If airflow is not sufficient ...

- Check for air leaks where air can be heard escaping, or apply a soap and water solution on all connections. Resulting bubbles indicate an air leak. Tighten fittings where necessary.
- PTFE seal tape is recommended for all threaded connections.
- Replace the Air Hose if the hose is torn or damaged.

If compressor shuts off frequently, the motor fails to come up to full speed or becomes hotter than usual during operation ...

- Disconnect other appliances that are using the same power outlet.
- Avoid using extension cords.

If problems arise which you cannot solve with the information provided above, please contact your retailer or supplier for assistance. Do not attempt to fix the device yourself. Improper operation and/or dismantling of the device may damage the compressor. If any parts/accessories are damaged, please contact your retailer or supplier for replacement or repair.